

iControlPad

Quick Start Guide



PLAY GAMES THE WAY THEY ARE MEANT TO BE PLAYED.

Thank you for purchasing the iControlPad. The iControlPad provides an assortment of gaming controls not normally found on smartphones and powerful media players. Adding these controls to the device you already carry around enhances your entertainment experience without burdening you with a pocket full of electronics.

The iControlPad is a Bluetooth® controller supporting various Human Interface Device (HID) modes and the Serial Port Profile (SPP). Each unit ships with SPP active as the default operating mode. Your gaming experience may require a different mode and this guide can provide you with the instructions needed to change modes.

Many host devices (PC, smartphone) will store information about the iControlPad after a connection has been established. This is useful to make an automatic connection back to the iControlPad with each use but it is also a problem when changing the mode in this device. When changing the mode, it is important to clear the stored settings out of the host device in order to create a fresh pairing. Failure to do so could make a connection impossible or non-operational when linked. The iControlPad will also try to automatically connect back to the last host it was linked with in HID modes. This could make connection to a brand new host more difficult while it searches for the previous one.

Please see the section on toggles and auto-reconnect in HID mode to clear this condition. Holding the dpad in the UP and RIGHT direction during power up will prevent the iControlPad from trying to connect back to the last host.

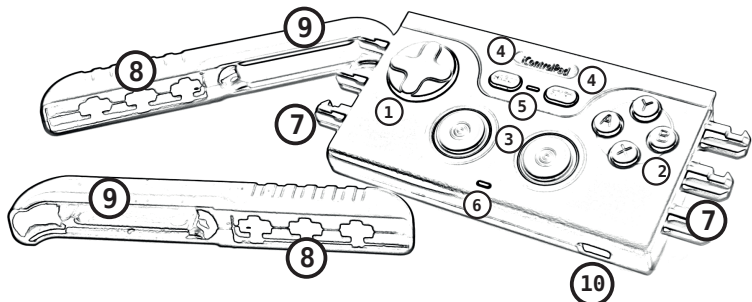
Thanks to the convenience of easily clipping on different side clamps, compatibility with almost every current and future smartphone is possible. Whenever you upgrade your phone to a new generation, you can still use the iControlPad for proper game playing. Just purchase the side clamps that fit your phone and you are ready to go!

Contact Details - If you need further help

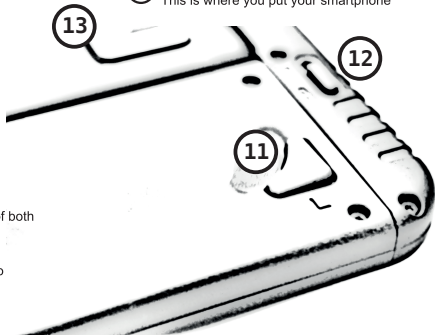
iControlPad Ltd.
26 Meadow Road
Lemington, Newcastle upon Tyne
NE15 7LP
United Kingdom

www.icontrolpad.com

Overview - Get to know your iControlPad

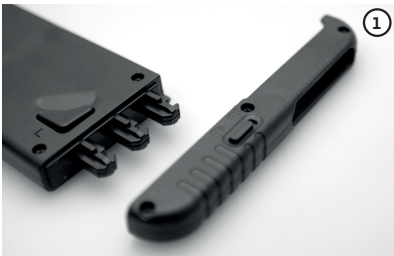


- 1 Directional Pad
- 2 Action Buttons
- 3 Analog Gaming Controls
- 4 SELECT and START Buttons
START is also used as power switch
- 5 Power / Status LED
Power on and status indicator described later
- 6 Charging LED
- 7 Clamp Mounting Posts
Attach the clamps here
- 8 Clamp Holes
Slide these onto the pegs
- 9 Phone Slots
Put your smartphone between the phone slots of both clamps
- 10 Power Connector
Attach USB cable to charge internal battery or to charge phone
- 11 Left and Right Trigger Buttons
- 12 Clamp Lock
To attach and release the clamps
- 13 Smartphone
This is where you put your smartphone



Installing your Smartphone

Installing the smartphone into your iControlPad is very easy. Make sure that you have the correct clamps for your phone and that you properly close the lock.



First, slide one clamp into the base part of the iControlPad as shown **1**

Be sure the lock is OPEN when you slide the clamp onto the pegs. Use minimal force and try to make a click. Pull the lock all the way down to guarantee a full lock.

Once the first clamp has been attached, properly seat your phone into the phone slot area while continuing to hold it with your hand.

Attach the second clamp to the iControlPad while continuing to support your mobile phone in between the clamps with your hand.

The mobile phone should sit firmly between the clamps as shown in **2**

Make sure the locks are all the way down towards the closed lock icon and that your phone is well secured before moving freely.



Using the iControlPad

Powering On:

Hold down the START button for at least two seconds. The green LED will light up immediately, blink very quickly for a moment and then stay on for the two seconds. Once the LED goes out, you can release the button. Do not press any other buttons during this time unless a mode change is desired. Only the power button should be pressed for a normal power on event.

Powering Off:

Hold down the START button for three seconds to power off if the iControlPad is not currently connected over the BT link. Hold down the START button for six seconds if a link is currently established.

The system will remain on while the START button is being held down. Even though the power down sequence will be acknowledged and the system will drop into low power mode, the power is on until your finger is removed.

Automatic shutdown capability:

The iControlPad will power itself off if it does not make a connection or has lost a connection for two minutes. The iControlPad will also power itself off if no gaming controls are activated for five minutes. If the battery becomes drained, the iControlPad will power itself off automatically. If the external charger is active but either of the first two conditions listed here are met, the system will enter low power mode and stay on to charge the phone. Charging continues until the power is manually turned off, the USB cable is removed from the iControlPad or the battery is drained.

Charging the iControlPad:

Plugging in the mini-B end of a USB cable providing 5V into the USB connector will begin charging the iControlPad and will stop charging automatically once the battery is full. The red LED on the front of the unit will indicate charging status and is lit while charging. The iControlPad does not need to be powered on to charge itself.

Charging your phone with the iControlPad:

Plug in the mini-A end of a USB adapter cable into the USB port on the iControlPad. The full sized female-A end of the USB cable will allow you to use any USB charging cable that comes with your phone. If your phone attempts to draw too much power, the charging may be automatically disabled internally.

Operating Modes and Toggles

Operating Modes:

These button combos must be held down during power up. They are sampled right at the end of the power up timer (as the LED goes dark). Press down on the following buttons or button combos and then press the START button to turn the device on.

When the mode is successfully changed, the LED will blink quickly three times in acknowledgement. After this, you can release the buttons. Any buttons or button combinations not listed here are reserved and should not be pressed during start up.

Modes only have to be changed once and they are remembered until a different one is selected.

- SPP mode: Y button [**shipping default**]
- HID keyboard: A button
- HID keyboard and mouse: B button
- HID Joystick mode: X button
- HID Mouse: A and B buttons
- HID Keyboard (special experimental packet mode): A and X buttons
- HID Gamepad: X and Y buttons

Toggles (*advanced users only!*)

These are more button combos that must be held down during power up to activate the toggles. Press these buttons before holding down the START button and continue to hold them down until the green LED completes the power on sequence and then flashes quickly three times. All buttons can be released at this point.

Toggles only have to be changed once and they are remembered until a different one is selected.

The default shipping configuration for all of these is OFF. Each time these configurations are activated, they toggle from OFF to ON or ON to OFF. Some toggles work in conjunction with specific modes and are dormant when a different mode is active.

- Dedicated Keyboard Media Controller mode: B and X buttons
- Keyboard Media Controller while pressing SELECT mode: A and Y buttons
- Alternate Keyboard Configuration mode: B and Y buttons
- Auto-reconnect in HID mode: DPAD UP and DPAD RIGHT
- Reset Everything to Default: A, B, X and Y buttons

EC - Declaration of Conformity



The manufacturer - iControlPad Ltd., 26 Meadow Road, Lemington, Newcastle upon Tyne NE15 7LP, United Kingdom - herewith declares that the product iControlPad (type: Bluetooth Controller) meets the essential requirements according to article 3 of the following EC-Directive(s):

Directive 1999/5/EC of the European Parliament and of the Council of 09 March 1999 relating to radio and telecommunications terminal equipment, including the mutual recognition of their conformity and that the following harmonized standards has been applied:

EN 301 489-1, EN 301 489-17, EN 300 328, EN 50371:2002, EN 60950-1: 2006 + A11: 2009, EN 55022, EN 55024 and EN 300 328.

A handwritten signature in black ink, appearing to read 'Craig Rothwell'.

United Kingdom, 10.01.2011

Signed: Craig Rothwell, Director

Disposal of Old Electrical & Electronic Equipment (WEEE)

This symbol on the product or on its packaging indicates that this product shall not be treated as household waste. Instead it shall be handed over to the applicable collection point for the recycling of electrical and electronic equipment.



FCC, Bluetooth License, RoHS

The system has been tested to comply with FCC Standards.
It is also fully RoHS compliant.

Bluetooth Registration: B014867

Precautions - Be sure to read this information before using the device

The iControlPad has been designed to be as safe to use as possible. However, if used improperly, it has the potential to cause a fire or personal injury. To help insure accident free operation, follow these guidelines:

- Do not use the system while driving or while in control of any machinery.
- When using the iControlPad for a longer period of time, take a break for 10 minutes each hour to prevent fatigue.
- Do not expose the system to direct sunlight or extreme heat.
- Disassembling the iControlPad will void its warranty.
- If the battery starts burning and emits smoke, leave the area immediately. Avoid inhalation of the toxic fumes.
- If you find that liquid is leaking out of the unit or the unit is deformed, do NOT use it anymore. Using it in that abnormal state can cause serious injury.
- Do not expose the system to flammable or explosive materials. It may cause a fire.
- Do not expose the system to large amounts of dust or high humidity. It may cause contamination of the internal electronics leading to system failure.
- Do not operate the system with wet hands. Liquid that gets inside the iControlPad could cause short circuits that result in system failure or fire.
- Do not attempt to eat the iControlpad unless you're a robot who feeds on electronic devices.